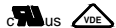
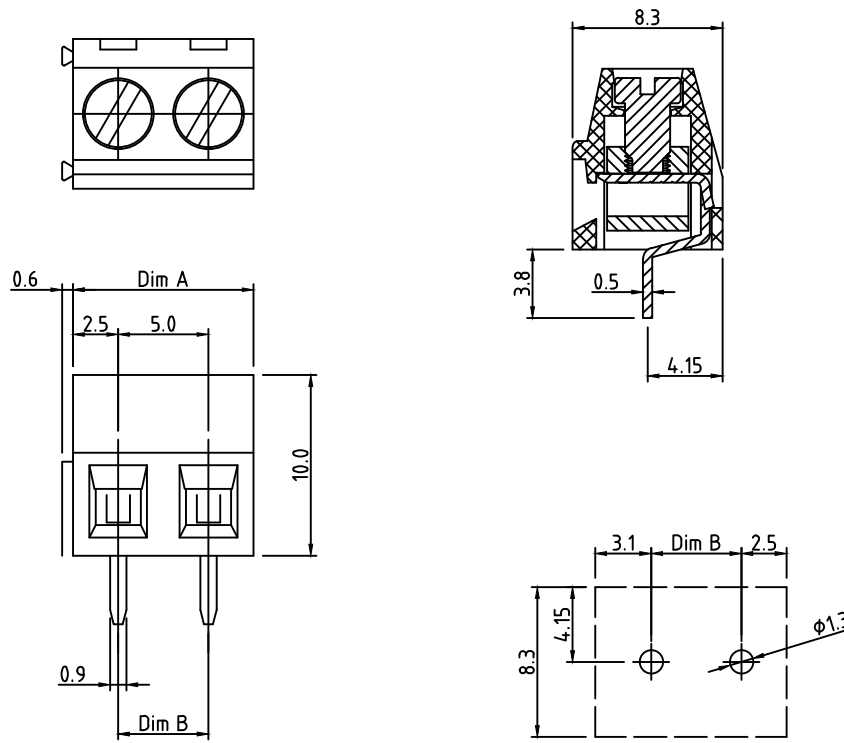


SPECIFICATIONS

Voltage Rating: 300 VAC/250 VAC
 Current Rating: 10 Amps
 Stranded/Solid Wire: 16-26
 Wire Strip Range: 6-7mm
 Dielectric withstanding: 1.6KV/2KV
 Wire Range: 0.5-1.5mm²
 Operating Temperature: -40°C~+115°C
 Max Processing Temp: 250°C±10°C for 5 seconds
 Clamp: Brass, Tin Plated
 Terminal Screw: Steel, Zinc Plated, "-" Slot Type
 Solder Pin: Brass with Tin Plated
 Insulator Material: Thermoplastic UL 94V-0
 Torque: 3.5in-lb/0.4Nm
 Screw: M3
 Safety Approval: 



P.C.B. LAYOUT

TBGL-xx JAx B-FG

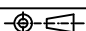
02 2 CONTACTS
 03 3 CONTACTS
 ...
 24 24 CONTACTS

FG: RoHS Compliant
 Pb<4000ppm

J: Black(RAL9005)
 B: Red(RAL3001/D)
 C: Orange(RAL2011/P)
 D: Yellow(RAL1018/A)
 E: Green(RAL6018/T)
 F: Blue(RAL5015/A)
 H: Grey(RAL7035/D)

APTOS Technology CONFIDENTIAL
 This document, and all information it contains, are the confidential, proprietary property of APTOS Technology. Disclosure, duplication or distribution of this document, or any information it contains, in whole or part, without prior written permission from APTOS Technology is strictly prohibited

Poles	02	03	04	05	06	07	08	09	10	11	12	13
Dim A	10.00	15.00	20.00	25.00	30.00	35.00	40.00	45.00	50.00	55.00	60.00	65.00
Dim B	5.00	10.00	15.00	20.00	25.00	30.00	35.00	40.00	45.00	50.00	55.00	60.00
Tolerance	±0.15					±0.25					±0.35	
Poles	14	15	16	17	18	19	20	21	22	23	24	
Dim A	70.00	75.00	80.00	85.00	90.00	95.00	100.0	105.0	110.0	115.0	120.0	
Dim B	65.00	70.00	75.00	80.00	85.00	90.00	95.00	100.0	105.0	110.0	115.0	
Tolerance	±0.35					±0.40						

GENERAL TOLERANCE UNLESS OTHERWISE SPECIFIED	
XXX. ± X	.XX ± 0.10
XX. ± X	.XXX ± X
X. ± 0.50	X' ± 1'
.X ± 0.30	.X' ± X'
REV. A	DRAWN
DATE 07/06/2017	CHECKED
SCALE As shown	APPROVED
UNIT mm	



TBGL Series
 5.00 mm Terminal Block
 PRODUCT NO. TBGL-XXJAXB-FG
 FILE NAME: TBGL-XXJAXB-FG LF APD.DWG

12/10/08
 SIZE A4